



**PLASMA EQUIPMENT TECHNICAL SERVICES
INCORPORATED**

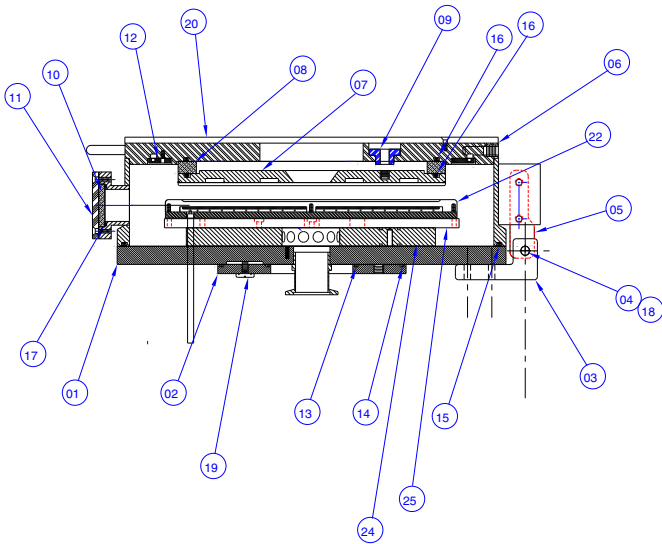
**392 W. LARCH ROAD, UNIT #16
TRACY, CA. 95304
(209)832-3326 FAX(209)832-3371**

PETS INC

NOTES:
UNLESS OTHERWISE SPECIFIED:

- ITEM 21 IS NOT SHOWN! THIS SPACER IS USED IN SOME ETCHING APPLICATIONS. IF IT IS USED, IT WILL REQUIRE AN ADDITIONAL O-RING (ITEM #16).
- 2.
- 3.

REV	ECO	DESCRIPTION	DATE	APPD
-	--	INITIAL RELEASE	00.00.00	MM



1	S16-0016	INSULATOR	25
1	S16-0017	PUMPING PEDESTAL	24
2	SS-4-UT-1-4ST	FITTING	23
1	S16-0050	HEATER PLATEN ASSY.	22
1	S16-0037	SPACER (NOT USED ON PECVD)	21
1	S16-0036	CHAMBER COVER	20
6	92205A540	SEAL SCREW, 1/4-20, McMASTER	19
1	98410A115	TRUARC KEEPER RING, McMASTER	18
1	2-127	O-RING, VITON	17
2	2-377	O-RING, VITON	16
1	2-384	O-RING, VITON	15
1	2-166	O-RING, VITON	14
1	2-160	O-RING, VITON	13
1	S16-0035	DIFFUSER	12
1	S16-0034	WINDOW RETAINER	11
1	S16-0033	VIEWPORT	10
6	S16-0032	INSULATOR	09
1	S16-0031	INSULATOR	08
1	S16-0030	ELECTRODE	07
1	S16-0024	CHAMBER WELDMENT	06
2	S16-0023	HINGE PLATE	05
1	S16-0022	SHAFT	04
2	S16-0021	HINGE SUPPORT	03
1	S16-0020	SEAL PLATE	02
1	S16-0019	BASEPLATE WELDMENT	01

QTY	PART / STOCK NO.	DESCRIPTION / MATERIAL	ITEM
1	S16-0019	BASEPLATE WELDMENT	01

THIS DRAWING IS THE PROPERTY OF PLASMA EQUIPMENT TECHNICAL SERVICES 392 W. LARCH ROAD #16 TRACY, CA. 95376 (209) 832-3326 PHONE (209) 832-3371 FAX <small>THIS DOCUMENT IS PROVIDED BY PETS INC AND MAY NOT BE REPLICATED OR PLASMA EQUIPMENT TECHNICAL SERVICES INC.</small>		DRAWN M. MARCON DATE 12.15.98	VALOR/DIST PETS 16" PECVD SYSTEM
<small>UNLESS OTHERWISE SPECIFIED: DIMENSIONS ARE IN INCHES TOLERANCES ARE FRACTIONS DECIMALS ANGLES %p/116 .XX %p/01 %p/5% .XXX %p/005</small>		SUBASSY PECVD CHAMBER ASSY.	REVISION S16-0004
<small>DWG NO</small> S16-0004		<small>DRG SIZE</small> D	<small>SCALE</small> 1:1
<small>SHEET</small> 1		<small>OF</small> 1	